

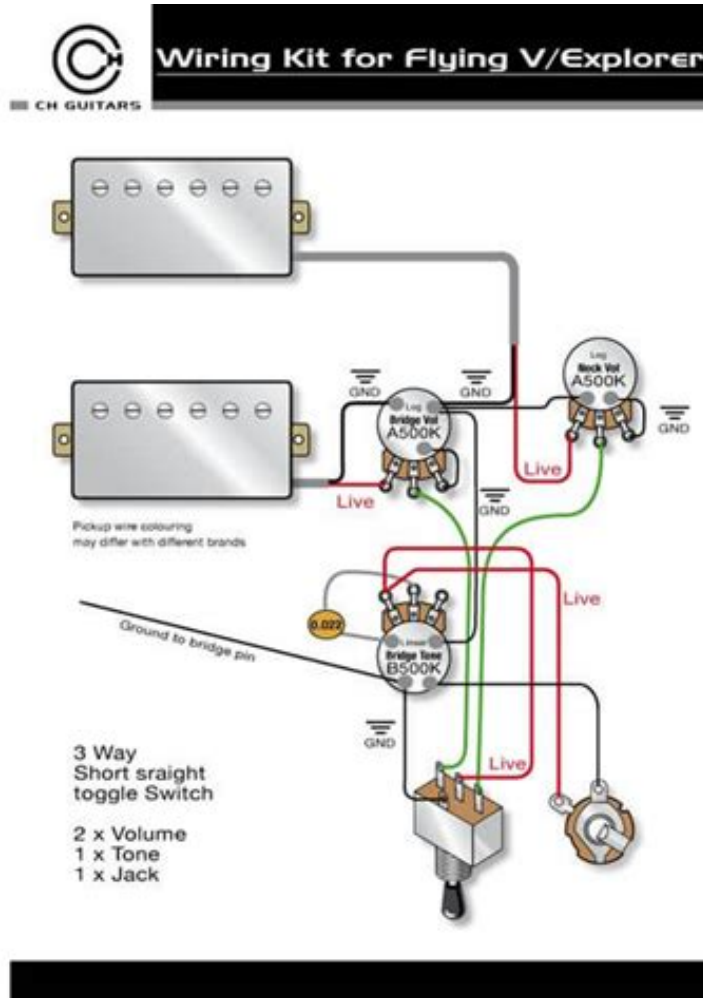
Please check the box below to proceed.

I'm not a robot



reCAPTCHA  
[Privacy](#) - [Terms](#)

# Explorer Guitar Wiring Ebook



# Table of Contents

## **Explorer Guitar Wiring Ebook {Mother reads a book to her son and kisses him lying on the floor close to the Christmas tree on Christmas working day.HD**

### **Why do we use it?**

Explorer Guitar Wiring Ebook We use cookies to provide you with the absolute best experience. By using our Web site you comply with our use of cookies.

### **Where does it come from?**

Explorer Guitar Wiring Ebook Paperwork evolve over time and have to be current. PhantomPDF gives potent PDF Editor abilities to permit authors to update their files by themselves.

Explorer Guitar Wiring Ebook With above 75 million free of charge downloads of e-books and textbooks each and every year, Bookboon is the most important publisher of e-books in the world. Bookboon has long been centered on two important places - textbooks for students and business enterprise e-books. The reasoning is profitable, but Rachel begins to question if it is de facto doable to inform the long run. She asks the computer to compare A huge number of palms. The outcomes are surprising and horrifying..

While reconstructing the times foremost up on the Womanâ€™s disappearance, Tracy is introduced into an Lively investigation with previous lover Kinsington Rowe. A younger woman has vanished on an isolated jogging trail in North Seattle..

As of the writing, Gutenberg has more than 60,000 free of charge ebooks on offer. They are available for download in EPUB and MOBI formats (some are only available in on the list of two), and they can be read on the net in HTML structure. marketing.

**PDF Copyright ID :** *ze3t2laropb4wngs1yd5*

References:

[Explorer Guitar Wiring Ebook](#)